



UPStation™ GXT 2U

Power Availability

## THE NEW SHAPE OF NETWORK POWER PROTECTION



*An On-Line UPS With Proven Reliability,*

*Custom Configurability, Internal Batteries*

*All In A Compact 2U Package*



## UPSTATION™ GXT 2U UPS

# THE RELIABILITY OF TRUE ON-LINE OPERATION, THE CONFIGURABILITY OF A COMPUTER.

**The Liebert GXT 2U UPS System takes the outstanding features and unmatched reliability of Liebert's UPSTATION GXT Series and puts it all into a smaller 2U size cabinet. As a true on-line UPS, GXT 2U includes power factor correction, internal batteries frequency conversion and internal automatic and manual bypass capability.**

For maximum flexibility, the GXT 2U can be easily installed as a space-saving, rack-mounted unit or as a compact freestanding tower. This versatility allows it to be used to protect networks, servers, VSATs, ATMs, Medical Diagnostics, PLCs, telecommunications equipment or industrial process equipment ... just about anywhere.

The Liebert GXT 2U is designed with the features you need, to protect mission-critical equipment from a variety of power problems:

- True on-line design
- Configurable as rack or tower
- Wide input voltage window allows UPS support without going to battery, extending systems availability
- Built in Surge Suppression
- User replaceable batteries without removing GXT 2U from rack
- Compatible with new SNMP / Web Card
- Compatible with Multiport 4 or 8
- Compatible with RelayCard INT
- Compatible with MultiLink

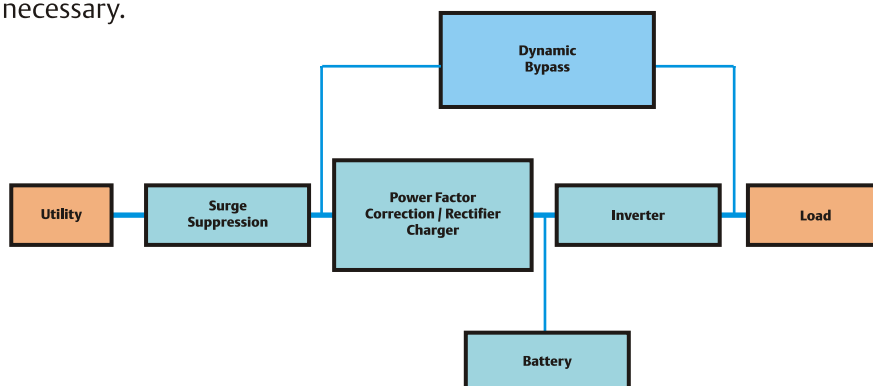
### **SOPHISTICATED PROTECTION IN AN EASY-TO-USE PACKAGE**

**The GXT 2U is easy to install...easy to set up...and even easier to use. It features simple operation with single switch for uncomplicated, error-free start up. A front-mounted panel display system status, load levels, battery capacity and any alarm conditions.**

The GXT 2U is designed to handle different types of power input, including imperfect power from electric utility, the variable output of most standby generators and harmonics from inside the building or even from your own network equipment.

### **ONLINE UPS PROTECTION FOR ESSENTIAL AND CRITICAL APPLICATIONS**

The GXT 2U will transfer the critical load to utility power (bypass mode) in the event of adverse conditions within the UPS. This adds an extra measure of reliability and availability to the supported equipment. No additional cabinets are necessary.



## **THE RIGHT FEATURES IN JUST THE RIGHT SIZE**

On-line design means zero transfer time from external to internal power. When utility power fails, your critical load remains supported by a seamless flow of power from the GXT2U.

### **Quality Power**

The Liebert GXT 2U is a true on-line power source, so whatever the quality of power coming in - the pure sinewave output meets the exacting standards of your equipment. The GXT 2U's design handles all potential power problems like:

- Power spikes and transients
- EMI / RFI noise
- Voltage sags and brownout conditions
- Harmonics
- Power-factor corrected loads
- Outages

### **Built-in Reliability**

The GXT 2U is designed from the inside out for maximum reliability. It includes operating features like:

- Power-factor corrected loads
- Frequency conversion
- Internal automatic and manual bypass capability

## **A NEW VIEW ON CONFIGURING YOUR UPS**

**Each GXT 2U is shipped with Windows® compatible software, that allows the user to program a variety of operating parameters. This capability allows you to customize the GXT 2U's performance to your specific requirements, providing a new level of power protection control and adaptability.**

The Software allows configuration of the following:

- Output voltage selectable
- Enable or disable auto restart
- Enable or disable line - neutral reversal detection
- Change the low battery warning from the standard 2 minutes
- Select frequency converter mode
- Select how often you want the automatic battery test to occur
- Disable automatic battery test if desired
- Program the UPS for the number of external battery cabinets connected, allowing the UPS to report the correct run time

## **COMMUNICATIONS FOR POWER MONITORING AND CONTROL**

**The GXT 2U offers a variety of communications options to provide the monitoring and control capabilities, demanded by today's network computing systems.**

- Intellislot® SNMP / Web Card
- MultiLink™ Shutdown Software

# WE HELP YOU GET IT RIGHT - RIGHT FROM THE START.

## UPStation™ GXT 2U

## Power Availability

### TECHNICAL SPECIFICATIONS

Description	1 kVA UPStation GXT 2U 1000	2 kVA UPStation GXT 2U 2000	3 kVA UPStation GXT 2U 3000
<b>Input Parameters</b>			
Nominal Voltage	230 VAC		
Voltage Range	119 - 280VAC (Load Dependent)		
Frequency Range	40 - 70 Hz		
Power Factor	> 0.97		
<b>Output Parameters</b>			
Capacity	1 kVA / 0.7 kW	2 kVA / 1.4 kW	3 kVA / 2.1 kW
Voltage	User Configurable - 200   208   220   230   240 VAC		
Voltage Regulation	+ / - 3% Steady state		
Frequency Regulation	+ / - 5% if synchronized to mains, + / - 0.1 Hz free running or on battery operation (when not synchronized to mains)		
THD	<= 3% (100% Linear Load), <= 5% (100% Non-Linear Load)		
Overload Capability (with transfer to bypass)	Upto 130% - 10 secs 200% - 8 cycles		
Efficiency	> = 88% (AC - AC) minimum		
Crest Factor	3:1 max		
<b>Battery Parameters</b>			
Type	12V / 7 AH Sealed, Lead/Acid. Maintenance Free	12V / 9 AH Sealed, Lead/Acid. Maintenance Free	
Recharge Time	Max. 5 hours to 95% capacity (after full discharge into 100% load)		
Battery Back-up Time	13 mins	8 mins	8 mins
<b>Environmental Conditions</b>			
Storage Temperature	- 15°C to + 50°C		
Humidity	0 - 95% Non Condensing		
Noise Level	< 50 dBA		
Electronic Discharge	Compliant to ENC61000-4-2, LEVEL 4 (15 kV through air, 8 kV contact)		
<b>Dimensions ( Unit )</b>			
W x D x H	87 X 547 X 430	87 X 547 X 430	87 X 618 X 430
Weight	22.6 kg	24.7 kg	31.9 kg
<b>Agency</b>			
Safety	EN50091-1-1, CE compliance mark, for both Low Voltage and EMC Directives		
RFI / EMI	C-Tick, AS 62040-2, EN 50091-2, Class B		
Surge Immunity	EN 61000 4-2, 4-3, 4-4, 4-5		
Transportation	ISTA Procedure 1A		

Typical Autonomy is calculated at approximately 80% load

While every precaution has been taken to ensure accuracy and completeness in this brochure, Liebert Corporation assumes no responsibility, and disclaims all liability for damages resulting from use of this information or for any errors or omissions.

© 2002 Liebert Corporation. All right reserved throughout the world. Specifications subject to change without notice.

All names referred to are trademarks or registered trademarks of their respective owners.

QS - BR - PRD - 1 - 01 - 00

### LIEBERT CORPORATION

1050, DEARBORN DRIVE, P. O. BOX: 29186  
COLUMBUS, OHIO - 43229.  
TEL.: 800.877.9222 (U.S & CANADA ONLY)  
TEL.: 614.888.0246 (OUTSIDE U.S.).  
FAX: 614.841.6022.

### COUNTRY OFFICE

EMERSON NETWORK POWER (INDIA) PRIVATE LTD.  
PLOT NO. C-20, ROAD NO. 19, WAGLE ESTATE,  
THANE (W). MAHARASHTRA - 400 604. INDIA.  
TEL.: 91-22-25807000 / 2388.  
FAX: 91-22-25828358.

### CITY OFFICES

Mumbai: 022 - 25002318 / 2294, Bangalore: 080 - 5598825 /  
5594543, Delhi: 011-25824206 / 08, Calcutta: 033 -2464-6387/  
9989, Secunderabad: 040- 2781 0957 / 27811619, Chennai: 044-  
28151063 / 28152596, Baroda: 0265 - 2314296 / 2330383, Pune:  
020-25676975 / 0709, Jamshepur: 0657-2227678, Cochin: 0484-  
2341985 / 86, Chandigarh: 0172-2662873, Lucknow: 0522-  
2286563, Guwahati: 0361-2453270, Bhubaneswar: 0674-  
2520778, Nagpur: 0712 - 2548551, Indore: 0731 - 2203806.

### CELEBRATING



years of keeping business in business



Emerson Among Top 50  
On Fortune Survey Of  
"Worlds Most Admired"  
Companies.



Winner of  
The MAIT Award  
for Export Excellence  
2002 - 03

EMERSON NETWORK POWER WEB SITE  
<http://www.emersonnetworkpower.co.in>

Liebert is a division of



[www.liebert.com](http://www.liebert.com)